



EGEMAC
Egyptian German Electrical Manufacturing Co.



**Centre Break Disconnecter
S2DA**

72.5 kV to 245 kV

ALSTOM

S2DA

72.5 kV to 245 kV centre break disconnecter

EGEMAC is the leading company in construction of 66 kV and 220 kV substations in Egypt and Alstom Grid is the world's largest manufacturer of disconnectors with over 140,000 units installed in more than 130 countries around the world. Therefore, EGEMAC managed to sign a licence with Alstom Grid to expand the value added to its profile. EGEMAC is proud to offer the S2DA which is produced inside the territory of EGEMAC.

Designed for reliability

The S2DA disconnector is one of the most commonly used types in the world thanks to its simple, efficient design. It is a rugged performer even in the most adverse operating conditions.

The S2DA is reliable in high winds and heavy ice and always stable in the closed position during short circuits. A galvanized structural steel channel base supports the insulators and live parts, assuring a high strength, rigid design. The two insulator stacks rotate on weather-sealed, greaseless, maintenance-free rotor bearings and the blades are made of extra-heavy extruded aluminium with replaceable silver-plated copper contacts in the opening point.

Certification

The disconnector manufacturing sites are certified according to ISO 9001, ISO 14001 and ISO 18001.



Quality

Alstom Grid prides itself on being the n°. 1 supplier of disconnectors in the world. The design principles and experience of our experts and the careful selection of suppliers to ensure that only top-quality materials are used during production ensure an excellent life cycle cost.

Customisation

Alstom Grid experts are pleased to propose customised solutions including parallel, in-line, diagonal, vertical, underhung and phase-over-phase solutions, bearing in mind that the phase-to-phase distance is higher than for other types of disconnectors.

Performance

Contact pressure is applied to the reverse loop copper jaw fingers by stainless steel springs which are insulated at one end, thus eliminating any possibility of annealing the springs due to their carrying current. Jaw contact pressure is increased as the current rises due to the reverse loop finger design.

Flexible technology

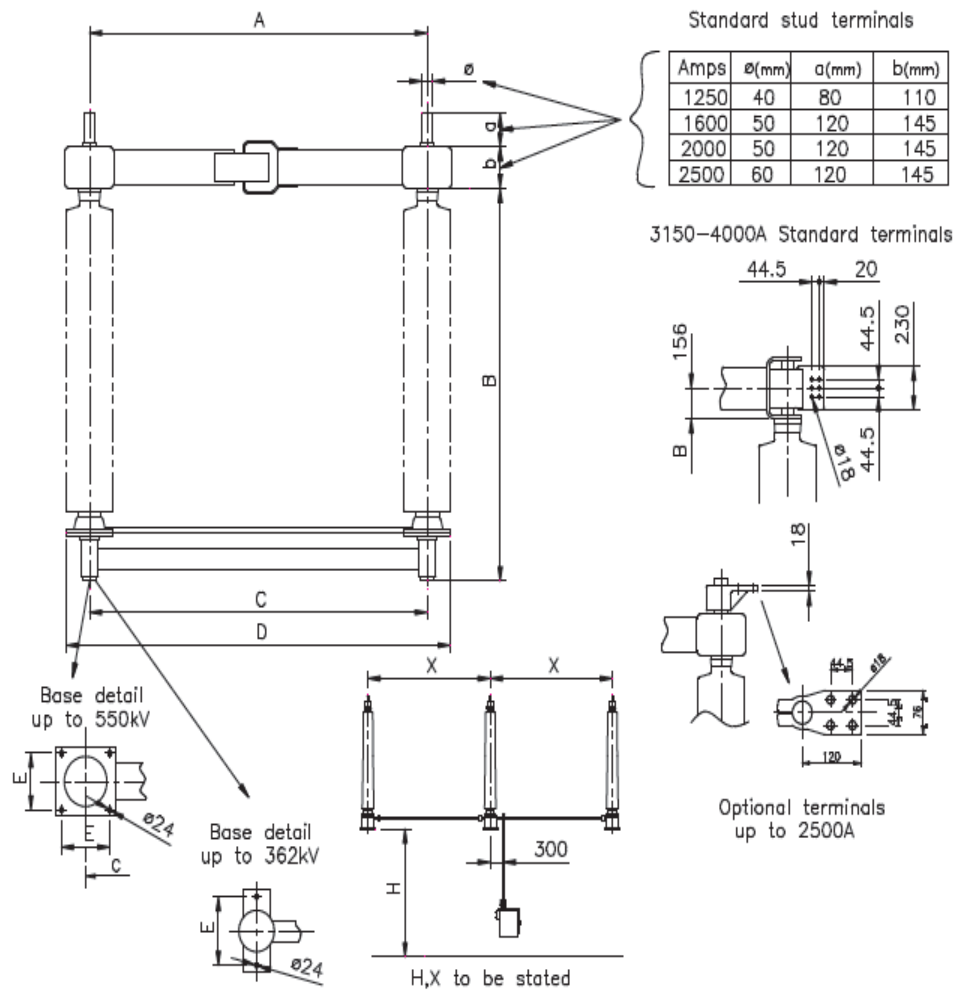
The special flexible connections have been designed to guarantee low maintenance, inspection-free, long-term operation: the less contacts you have the less problems you face! The hinge contacts do not need sliding or rotary contacts as the current travels a continuous path facilitated by a laminated aluminium flex that is welded and bolted to the blade and the high voltage connection.



Installation and maintenance

The S2Da does not require any special tools to be adjusted and is recognised worldwide as an easy to install and adjust disconnecter. Thanks to its self-lubricating or lifetime greased parts and corrosion free materials, the S2DA is virtually maintenance free.

- Cost effective
- No sliding contacts
- High short circuit carrying capacity
- Low operating torque
- Built-in or retro-fitted earthing switches
- Arc restrictors for line charging and transformer magnetising currents
- Virtually maintenance free
- Easy start-up and commissioning



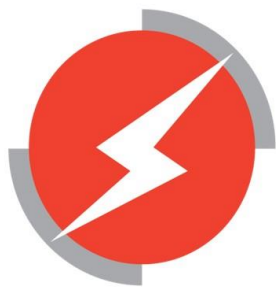
Customised layouts available upon request. Phase-to-phase distance defined by substation layout.

Technical data (IEC)*

Rated voltage kV	Rated current A / Short time withstand current kA	BIL kV	A mm	B mm	C mm	D mm	E mm
72.5	2500 / 31.5	325	1000	985	1000	1420	150
245	2500 / 50	1050	2500	2575	2500	3000	300



EGEMAC



EGEMAC
Egyptian German Electrical Manufacturing Co.

Address : 1 EL Kablat Street -Mattaria Area – Cairo - Egypt

Tel : +20 2-2283-7873 +20 2-2282-9605 +20 2-2283-2951

Fax : +20 2-283-2535 +20 2-2283-7671 +20 2-2283-4406

URL : Egemac.com.eg

E-mail : sales_HV@egemac.com.eg