



EGEMAC

Egyptian German Electrical Manufacturing Co.



EOF 72.5

Inductive Voltage Transformer

 **PFIFFNER**

 true values

EOF 72.5

Inductive Voltage Transformer



- Oil-paper insulated, inductive voltage transformer
- Metal parts made of aluminium resp. stainless steel
- Explosion proof housing
- Minimum oil volume
- Design according to international and national standards
- Maintenance free



- Highly flexible, temperature resistant membrane made of fluoroelastomer (Viton®)
- Hermetically sealed and therefore maintenance free



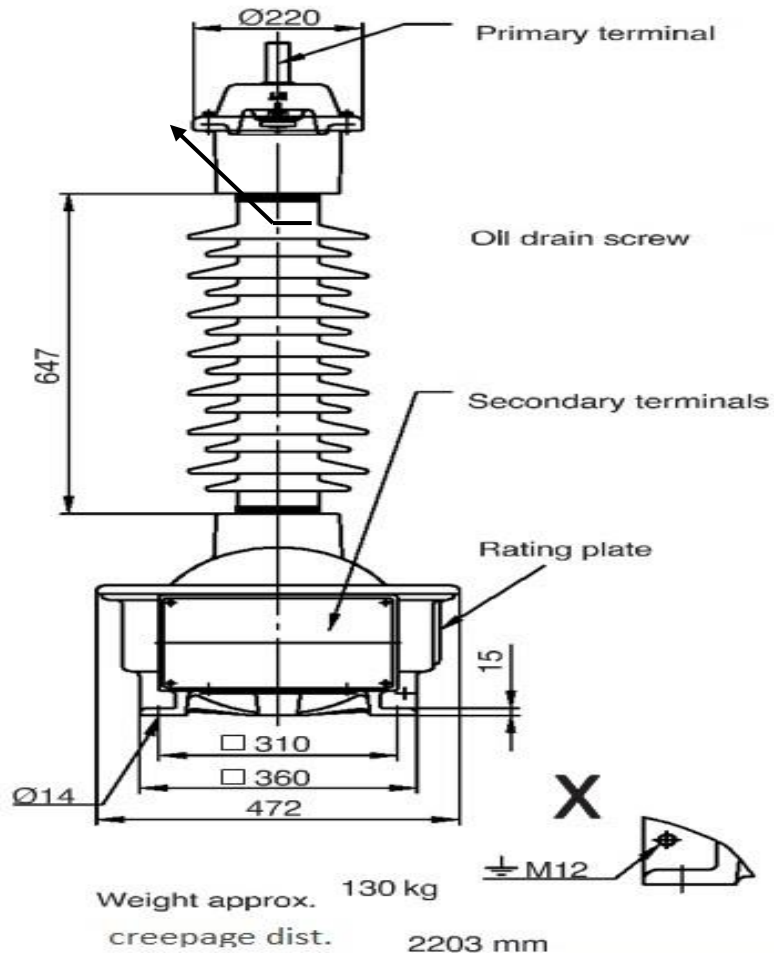
- Base housing breaks in case of overpressure without splintering (tested)
- Base housing optimized for low oil volume



- Space-saving core, implemented horizontally
- Low operation induction, material properties and optimized design of the core insure best protection against ferro-resonance



- Easy and safe cable connections in a large scaled secondary terminal box
- Tight acc. IP 54 (tested)



Technical data according to IEC

Type		EOF 72.5
Highest system voltage	kV	72.5
Power-frequency withstand voltage	kV	140
Lightning impulse withstand voltage	kV	325
Frequency	Hz	16.7/50/60
Max. nominal output class 0.2	VA	200
Number of secondary circuits		≤ 4
Thermal limiting output	VA	≤ 1500
Accuracy classes		0.1 – 3; 3P; 6P

Other technical data on request



EOF 72.5 in operation at the substation Schiffenen, EEF Switzerland

Designed for the long-term use in your substation

Ordering data

- Standard
- Rated voltage
- Test voltages
- Rated primary voltage
- Rated secondary voltages
- Number of secondary windings
- Classes/Burdens
- Thermal limiting output Frequency



EGEMAC



EGEMAC
Egyptian German Electrical Manufacturing Co.

Address : 1 EL Kablat Street -Mattaria Area – Cairo - Egypt

Tel : +20 2-2283-7873 +20 2-2282-9605 +20 2-2283-2951

Fax : +20 2-283-2535 +20 2-2283-7671 +20 2-2283-4406

URL : Egemac.com.eg

E-mail : sales_HV@egemac.com.eg